

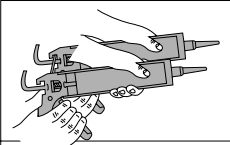
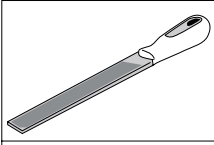
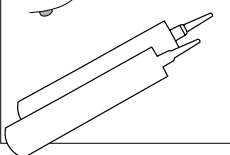
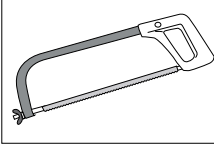
High Gloss Acrylic Panel Edge Profiles Instructions

Introduction

The edge profiles are designed to integrate with panels. The edge profiles will reduce installation time and deliver a highly professional and durable finish.

All four profile types are designed to be bonded to the panel using neutral cure silicone so they can move with the panel during thermal expansion and contraction. **DO NOT** fix the edge profiles to the wall.

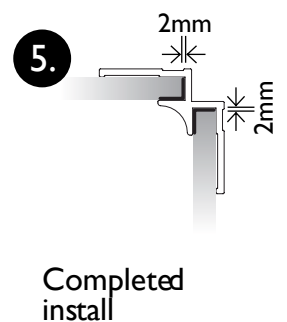
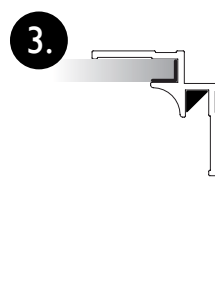
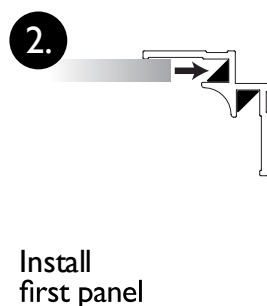
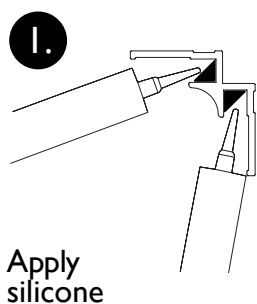
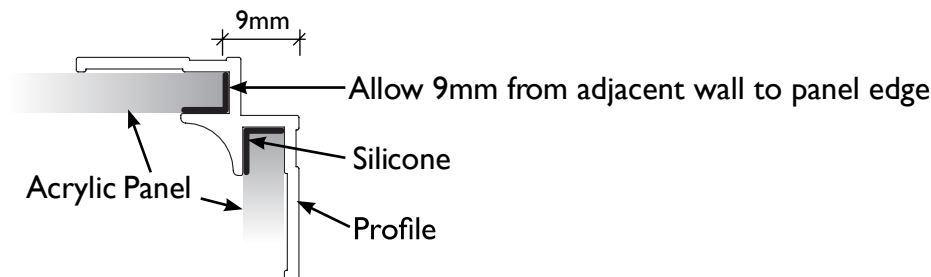
Tools Required for Installation

	Silicone Caulking Gun		Medium File
	Neutral Cure Silicone		Fine Toothed Hacksaw

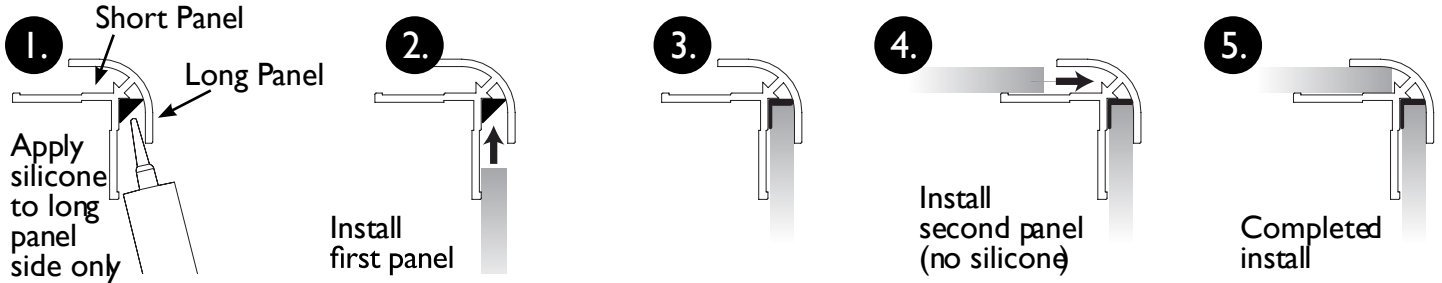
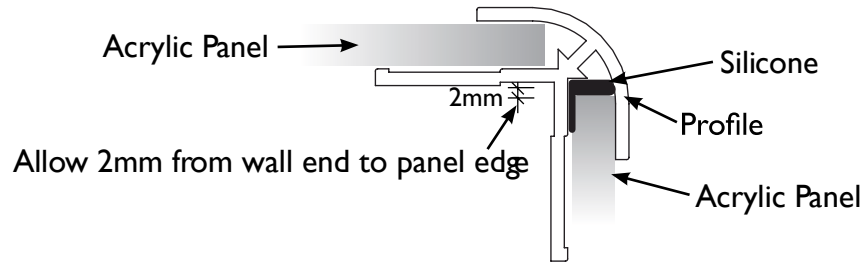
Preparation

1. Cut the edge profiles to the same length as the panel using the hacksaw
2. De burr and smooth the cut ends using the medium file
3. Apply 3 mm high silicone bead to the base of the profile channel along the entire length of the profile
4. Position the profile on to the panel as shown in the individual profile install sequences
5. Wipe off any excess silicone immediately after panel install
6. Leave to cure for 24 hours before use.

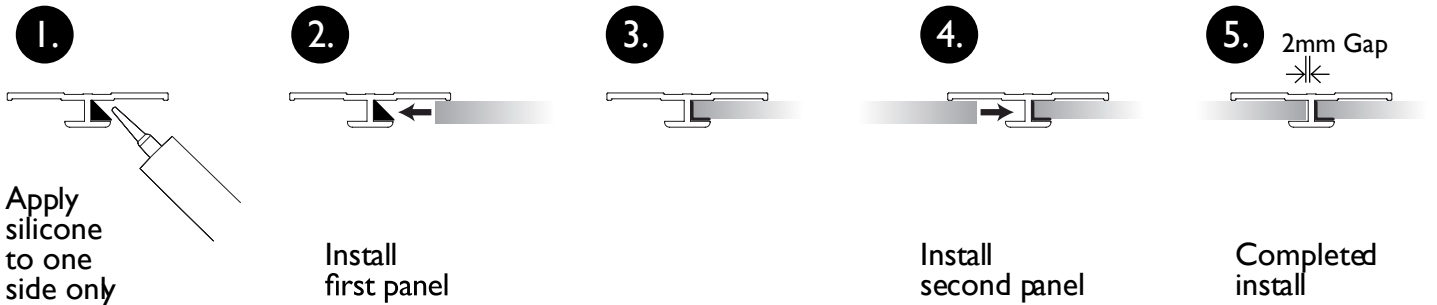
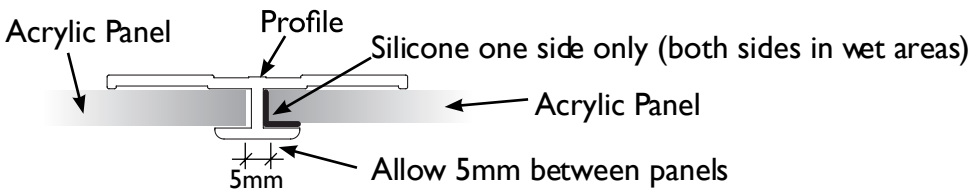
INTERNAL CORNER PROFILE



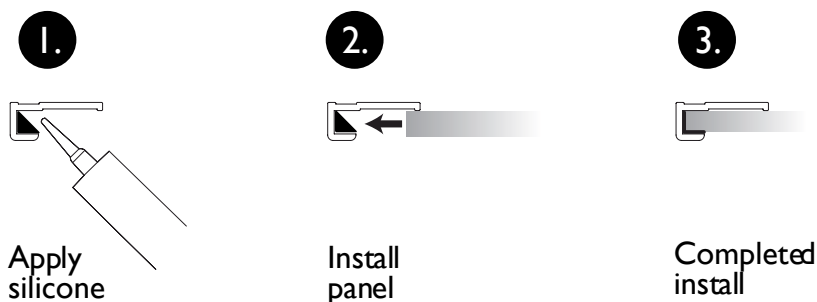
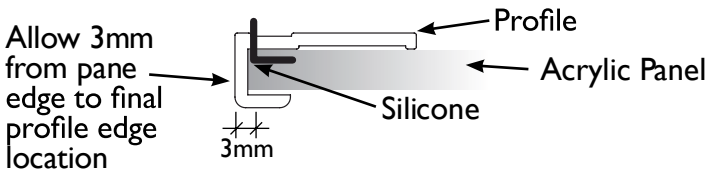
EXTERNAL CORNER PROFILE



STRAIGHT JOINT PROFILE

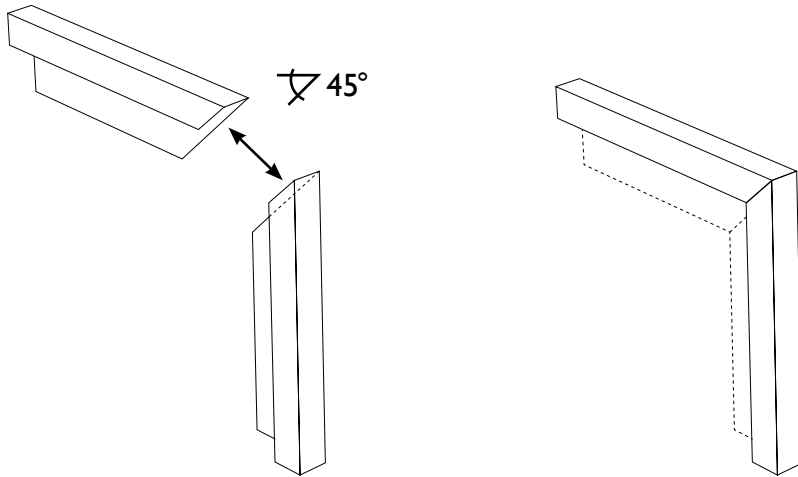


EDGE CAP PROFILE



PERIMETER CORNER JOINTS

MITRE JOINTS



NOTCHED JOINTS

