

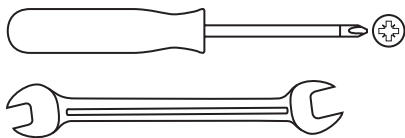
# Stonehurst Outdoor Fireplace

58281  
V1.0

User Instructions - Please keep for future reference



#### Tools required (not included)



**CAUTION!**

**DO NOT** use this product on decking or any other flammable surface

**IMPORTANT!** – Carefully remove any packaging before use, but retain the safety instructions. These instructions form part of the product. Please take note of all of the safety warnings listed in these instructions. Please read these instructions in their entirety and retain them for future reference. These instructions should be stored with the product. This product is for domestic use **ONLY** and should not be used commercially or for contract purposes.

### WARNINGS - CAUTION!

- This product is intended **FOR OUTDOOR USE ONLY. DO NOT USE INDOORS.**
- **WARNING! - ALWAYS** keep children and pets at a safe distance from the product when in use.
- **NEVER** leave a burning fire unattended.
- **DANGER** of carbon monoxide poisoning - **NEVER** light this product or let it smoulder or cool down in confined spaces.
- **DO NOT** use this product in a tent, caravan, car, cellar, loft or on a boat.
- **DO NOT** use under any awnings, parasols or gazebos.
- **FIRE HAZARD** – Hot embers may emit while in use.
- **WARNING! - DO NOT** use petrol, white spirit, lighter fluid, alcohol or other similar chemicals for lighting or relighting. **ONLY** use firelighters that comply to EN:1860-3.
- This product is **ONLY** suitable for use with untreated wood, logs or La Hacienda HeatBlox.
- **DO NOT** use coal or charcoal in this product.
- **DO NOT** use this product on decking or any other flammable surfaces such as dry grass, wood chips, leaves or decorative bark.
- Ensure that the product is positioned at least 2m away from flammable items. Also ensure that there is a minimum overhead clearance of 2m from the top of the unit.
- **DO NOT** use this product as a furnace - **ONLY** use as a patio heater.
- **ATTENTION! - This product will become very hot. DO NOT** move it during operation.
- **ALWAYS USE** heat resistant gloves when adding fuel.
- This product is **NOT** intended for cooking or heating food.
- Ensure there is a minimum gap of 10cm between the base of the firebowl and fuel stored in the log store below, to allow air flow.
- Ensure logs stacked in the base of the unit do not touch the underside of the fire bowl. Leave a minimum of 10cm between the top of the logs and the base of the firebowl.

### CARE & USE

- Ensure that the product is positioned on a permanent, flat, secure, heat resistant, non-flammable surface away from flammable items.
- Ensure that the product has a minimum of 2m overhead clearance and has a minimum of 2m clearance from other surrounding items.
- Decide on the location as above. Once the model is positioned, **DO NOT** move whilst in use. **DO NOT** drag across the floor.
- Ensure the model is stable prior to use.
- As this model is made from steel, the surface will age and develop surface rust as soon as it is placed outside and from first use. This does not affect use and is not a product fault.
- To help reduce rust, rub the product with an oily rag after each use.
- Remove loose paint and rust with a wire brush when needed and repaint the product using La Hacienda high temperature paint.
- For safety reasons, always inspect your product prior to use for signs of fatigue and damage, and replace your model as and when necessary. Continuing to use a damaged unit could cause personal injury or damage to property.

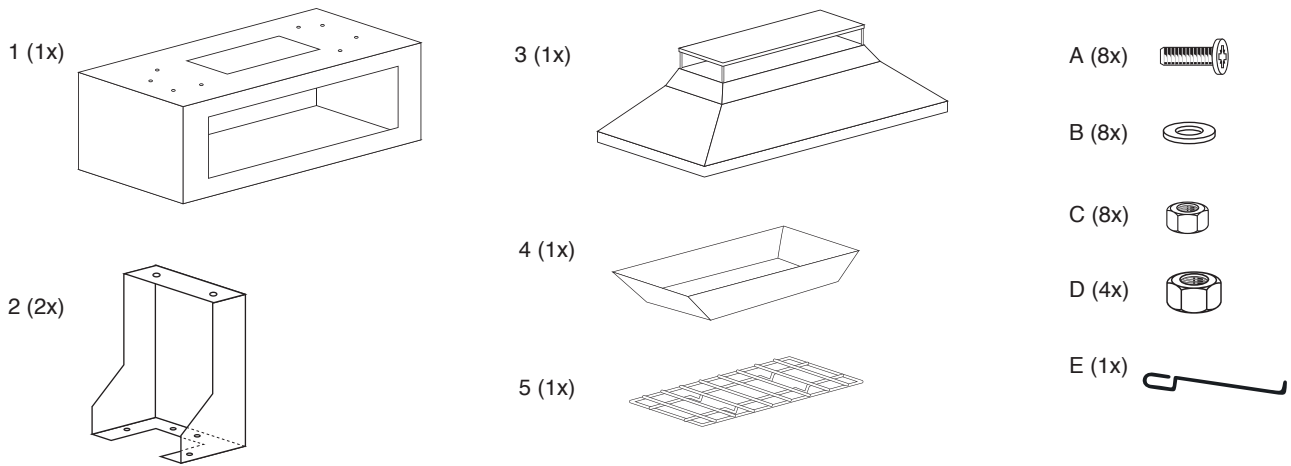
### LIGHTING & REFUELLING

- **ALWAYS** use heat resistant gloves during use and when adding fuel.
- Prepare a stack of loosely crumpled newspaper and place in the bottom of the bowl.
- Pile finely split dry firewood or kindling on top of the paper.
- To light the newspaper, use long safety matches or a long nosed lighter.
- Once sufficiently alight, add logs or larger pieces of untreated wood to the unit to increase the heat slowly.
- **DO NOT** overload with fuel, only one or two logs is sufficient.
- **ALWAYS** use heat resistant gloves during use and when adding fuel as the unit will become very hot.

### EXTINGUISHING

- To extinguish – stop adding fuel and allow fire to die or douse with sand. **DO NOT** use water as this may damage the product.

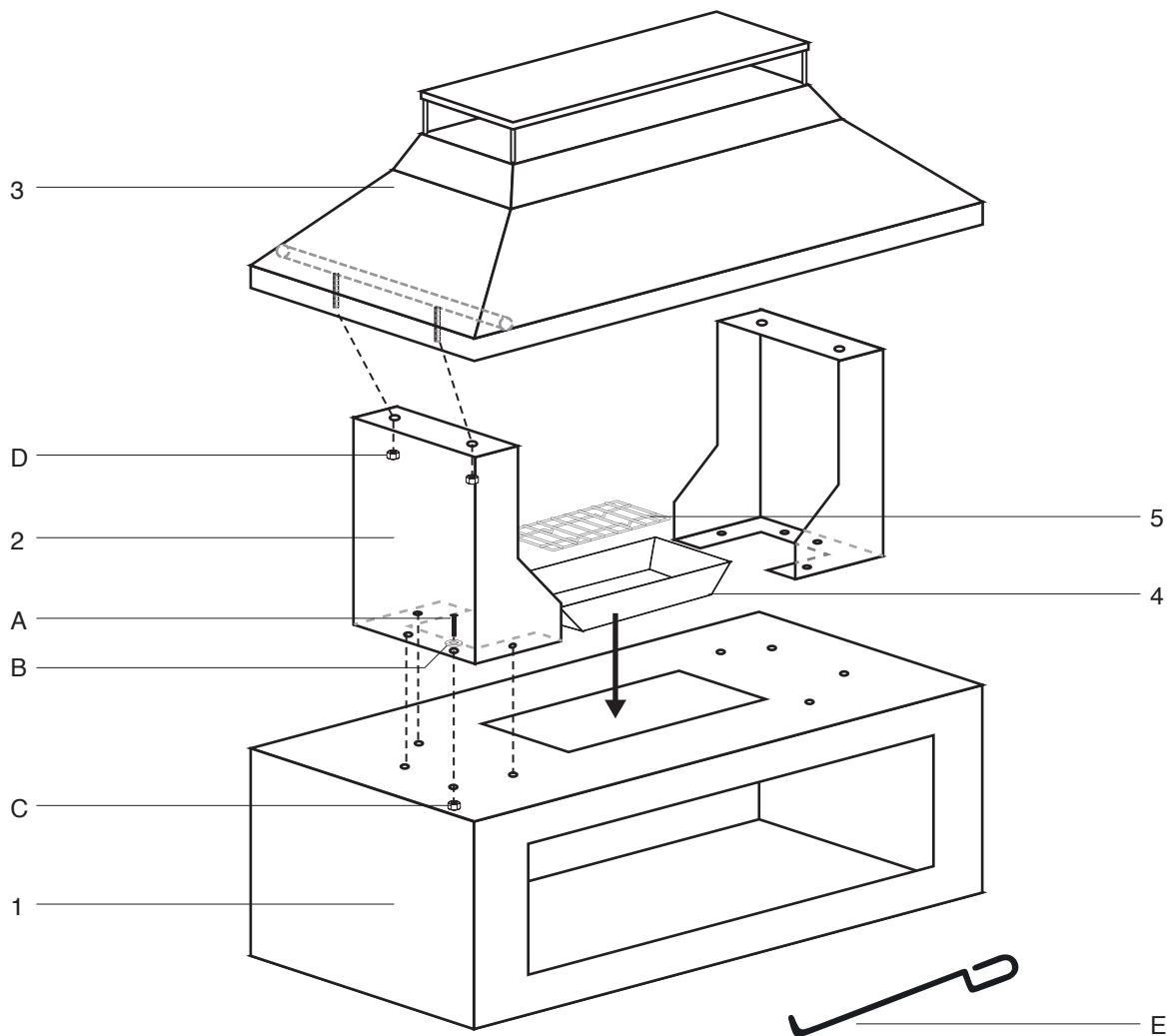
## Parts list



Prior to assembly, read the instructions carefully. Check all parts against the parts list. Carry out assembly on a soft surface to avoid scratching the paint. Please retain this information for future reference. For ease of assembly only loosely tighten bolts and then tighten fully when assembly is complete.

**WARNING! - DO NOT** over tighten bolts; only tighten with moderate pressure to avoid damaging the bolts or components of the product.

## Assembly diagram



## Assembly Instructions

**IMPORTANT!** - Remove any packaging before use, but retain the safety instructions and store them with this product.

### **ASSEMBLY**

**STEP 1** - Remove all protective packaging.

**STEP 2** - Place the base (1) onto a clean soft surface.

**STEP 3** - Attach the 2 x sides (2) to the base (1) using 8 x bolts (A), 8 x washers (B) and 8 x bolts (C).

**STEP 4** - Slot the 4 x preattached bolts on the lid (3) through the holes in the top of the sides (2) then secure with 4 x nuts (D).

**STEP 5** - Insert bowl (4) into the top of base (1).

**STEP 6** - Place log grate (5) into bowl (4).

**The Outdoor Fireplace is now ready to use, but please ensure you have read these instructions thoroughly prior to use.**