

## Premium Aluminium Slim Wire Storage Baskets

Please follow the fixing and care instructions to ensure that your wire storage product is fitted safely and that it retains its high quality finish. Please retain this leaflet for future reference.

This installation guide applies to the following products:

- QM781941 Aluminium Slim Wire Soap Dish**
- QM780641 Aluminium Slim Wire Cosmetic Basket**
- QM780741 Aluminium Slim Wire Long Cosmetic Basket**
- QM785941 Aluminium Slim Wire Corner Basket**
- QM786041 Aluminium Slim Wire 2 Tier Basket**
- QM783841 Aluminium Slim Wire 2 Tier Corner Basket**
- QM784341 Aluminium Slim Wire 2 Tier Hook Over Basket - No wall fixing required.**
- QM790641 Aluminium Cosmetic Basket (Solid Base)**
- QM795941 Aluminium Wire Corner Basket (Solid Base)**

### Home Safety Advice

- Do not strike the product with hard or sharp objects.
- Always take care when using an electric drill, particularly in the bathroom. Always check for hidden cables and pipe work before drilling and take extreme care if there is any water in the working area.
- It is advisable to use a residual current circuit breaker (RCCB).
- Always wear suitable eye protection when drilling.
- If the product is to be fitted on a ceramic tiled wall, a ceramic drill bit should be used. Always ensure that the drill hole passes through the central tiled area rather than through the grouted area. To prevent unnecessary damage to the tile, mask the area around the hole with tape before drilling.

### Product Care

- To retain the best quality finish, clean product with a soft cloth and a mild soap solution.
- Do not use abrasive or chemical cleaners as they may damage the surface finish on the surface of the storage baskets.

### Fixing Pack Contents

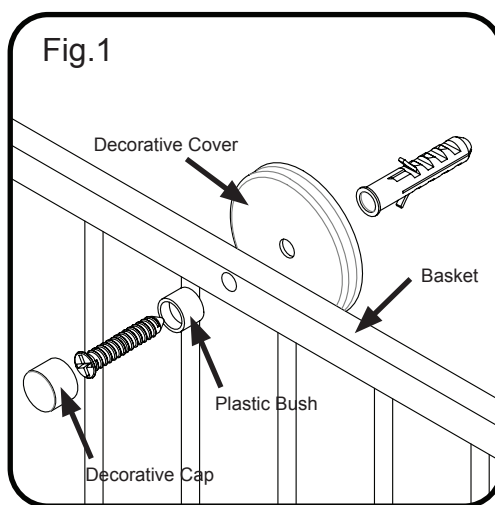
- 2 x Wall Fixing Screws
- 2 x Wall Plugs
- 2 x Decorative Covers
- 2 x Plastic Bushes.
- 2 x Decorative Caps

### Tools Required

Drill; 6mm masonry drill bit (6mm ceramic drill bit optional); Cross head screwdriver; Pencil; Spirit level. **KEEP DIY TOOLS OUT OF THE REACH OF CHILDREN**

## Fitting Instructions

1. Select position of the product on the wall and mark through the fixing holes, ensuring that the product is level.
2. Remove the product. Using a 6mm masonry drill, drill the holes in the marked positions to a depth of 30mm. If drilling through tiles, please pre-drill using a ceramic drill bit.
3. Insert the wall plugs to the surface of the wall. If fitting to a tiled surface, the wall plugs should be inserted below the surface of the tile to avoid cracking.
4. Insert the screws through the plastic bushes and the basket. Locate the decorative cover from behind the basket onto the fixing screws. Screw the bracket assembly into the wall plugs. Do not over tighten as cracking of the tiles could occur - See Fig.1.
5. Press the decorative caps onto the bushes to complete the assembly - See Fig.1.



### Lifetime Rust Free Guarantee

This guarantee covers rusting under normal usage, when the product is installed, used and cleaned in accordance with these instructions. This guarantee does not cover rusting resulting from damage to the surface finish due to the use of abrasive sponges or pads, abrasive cleaners, strong chemical cleaners or metal polish. In the unlikely event that rusting should occur during the guarantee period we will replace the product or the affected parts.

Please retain a copy of your receipt, as proof of purchase will be required should a guarantee claim be necessary.

For details of the other items in the Croydex range please visit our website: [www.croydex.com](http://www.croydex.com)

Croydex Limited, Central Way, Andover, Hampshire, SP10 5AW, UK  
Tel: +44 (0) 1264 365881 Fax: +44 (0) 1264 356437  
E-mail: [info@croydex.co.uk](mailto:info@croydex.co.uk)