

SOVEREIGN

EASY GARDENING

30CM PUSH LAWN MOWER

Item No. 310091

Model No. GT5614



Technical Support & Parts

01904 727509

Mon-Fri 9am-5pm Sat-Sun 11am-4pm
www.coreservice.co.uk

ORIGINAL INSTRUCTION MANUAL

Please read these instructions fully before starting assembly.

HHGL Limited, MK9 1BA. HHGL (ROI) Limited, D02 X576

Sep. 20

CONTENTS

General safety warnings	3
Intended use	7
Warning symbols	8
In the box	9
Assembly	10
Maintenance	16
Troubleshooting	17
Technical data	17
Sharpening the blade	18
Disposal	19
Getting help	19
Warranty	20

GENERAL SAFETY WARNINGS

Safety Warnings



WARNING! Read all safety warnings and instructions.

Failure to follow the warnings and instructions may result in fire and/or serious injury.



WARNING! Read all safety warnings and instructions designated by the  symbol.

Save all warnings and instructions for future reference.

- Always ensure anyone intending to operate this mower is fully conversant with the contents of this instruction manual prior to assembling, maintaining or operating the mower.
- Perform assembly operations as described in this manual. Failure to observe this warning may lead to serious injury, death or damage to the mower.
- Always take care when removing the packaging, to prevent damage to you or to the mower.

IMPORTANT! Before assembling the mower, check all the parts indicated in the manual are in the box. Inspect all the parts for signs of damage. Do not assemble the mower if you observe any damaged components.

TRAINING

- Never allow children or people unfamiliar with these instructions to use the mower. Local regulations can restrict the age of the operator.

- Never mow while people, especially children or pets, are nearby.
- Keep in mind that the operator or user is responsible for accidents or hazards occurring to other people or their property.

PREPARATION

- **While mowing, always wear substantial footwear and long trousers.** Do not operate the equipment when barefoot or wearing open-toed sandals.
- **Thoroughly inspect the area where the equipment is to be used and remove all objects which can be thrown by the mower.**
- **Before using, always visually inspect to see that the blades, blade bolts and cutter assembly are not worn or damaged.** Replace worn or damaged blades and bolts in sets to preserve balance. Replace any damaged or unreadable labels.

GENERAL OPERATION

- Only operate the product in daylight or in good artificial light.
- Always be sure of your footing on slopes.
- Walk, never run.
- Mow across the face of slopes, never up and down.
- Exercise extreme caution when changing direction on slopes.

- Do not mow excessively steep slopes.
- Use extreme caution when reversing or pulling the mower towards you.
- Stop the blades if the mower has to be tilted for transportation when crossing surfaces other than grass, and when transporting the mower to and from the area to be mowed.
- Never operate the mower with defective guards, or without safety devices in space, such as, deflectors and/or grass collectors.
- Do not put hands or feet near rotating parts while the mower is being operated.

Work area safety

- **Keep work areas clean and well lit.** Cluttered or dark areas invite accidents.
- **Keep children and bystanders away while operating the mower.** Distractions can cause you to lose control.

Personal safety

- **Stay alert, watch what you are doing and use common sense when operating the mower.** Do not use this mower while you are tired or under the influence of drugs, alcohol or medication. A moment of inattention while operating this mower may result in serious personal injury.

- **Use personal protective equipment (PPE).** Always wear eye protection and non-skid safety shoes.
- **Do not overreach.** Keep proper footing and balance at all times. This enables better control of the mower in unexpected situations.
- **Dress properly. Do not wear loose clothing or jewellery. Keep your hair, clothing and gloves away from moving parts.** Loose clothes, jewellery or long hair can be caught in moving parts.

Use and care

- **Do not force the mower. Use the correct tool for your application.** The correct tool will do the job better and safer at the rate for which it was designed.
- **Do not use the mower if any parts are damaged or broken.** Any machine that is damaged or broken is dangerous and must be repaired.
- **Store an idle mower out of the reach of children, and do not allow persons unfamiliar with the mower or these instructions to operate the machine.** This mower is dangerous in the hands of untrained users.

- **Maintain the mower. Check for misalignment or binding of moving parts, breakage of parts and any other condition that may affect the mowers operation. If damaged, have the mower repaired before use.** Many accidents are caused by poorly maintained tools.
- **Keep cylinder blades sharp and clean.** Properly maintained cutting blades with sharp cutting edges are less likely to bind and are easier to control.

INTENDED USE

This lawn mower has been designed for cutting grass and soft vegetation in private and hobby garden areas. It should only be used for its prescribed purpose, and any other use is deemed to be a case of misuse.

PLEASE NOTE: Our equipment has not been designed for use in commercial, trade or industrial applications. Our warranty will be void if the mower is used in commercial, trade or industrial applications or for an equivalent purpose.

WARNING SYMBOLS

Safety symbols

The purpose of safety symbols is to attract your attention to any possible dangers. The safety symbols and their explanations require your careful attention and full understanding. The symbol warnings do not, by themselves, eliminate any danger. The instructions and warnings they give are no substitute for proper accident prevention measures.



WARNING: Be sure to read and understand all safety instructions within this operator's manual, including all safety alert symbols such as '**DANGER**', '**WARNING**', and '**CAUTION**' before using this tool. Failure to follow all instructions listed below may result in electric shock, fire and/or serious personal injury.



Read instruction manual before operating or attempting any maintenance work.



Indicates danger, warning or caution.



Do not run the mower over objects. They can be thrown and cause severe injury.



Keep bystanders, especially children and pets, at a distance greater than 10m.



Do not put your hands near the rotating blades.



Avoid injury, do not place hands or feet near the rotating blade.

IN THE BOX

Parts

1. Upper handle
2. Handle extensions
3. Lower handle
4. Cylinder blade
5. Mower body
6. Grass collecting box
7. Cutting height adjustment knob
8. Wheels
9. Grass collecting box support strap



ASSEMBLY



WARNING! Before using the mower, read the instruction book carefully.

Fitting the handle

Slide the upper handle over the two handle extensions until the holes are lined up, then secure using the nuts and screws provided (see Fig. A).



Align the two holes on one of the handle extensions with those on the lower handle. Secure them together using the nuts and screws provided. Repeat the process with the other handle extension (see Fig. B1, B2 and B3).



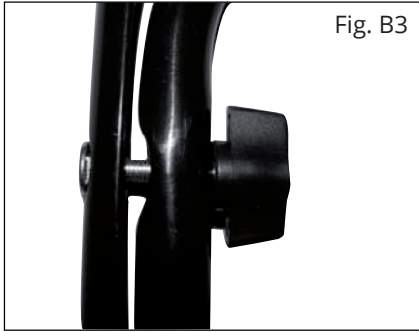


Fig. B3

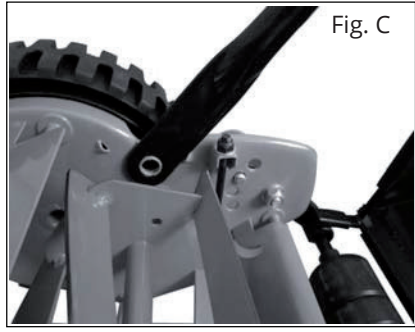


Fig. C

Now the handle is fully assembled and ready to be attached to the mower head.

To attach the handle to the mower head, locate the two metal lugs found in front of the cutting bar adjustment knobs. To attach the handle, insert one of the large holes in the handle arm over the lug, then repeat the same process with the other side. It may be required to use some force to squeeze the two arms together to allow room for locating the second arm over the remaining metal lug.

Assemble the grass collection box

The grass collection box needs to be assembled before use (see Fig. D1).

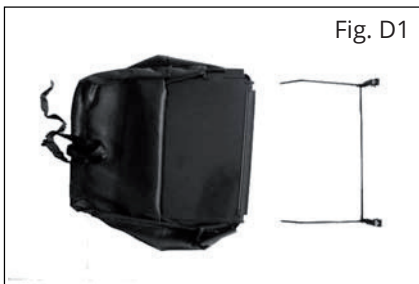
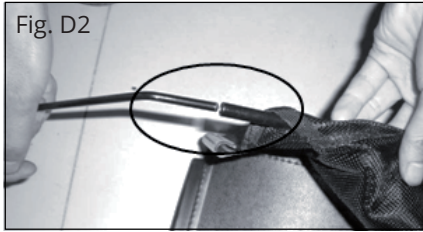
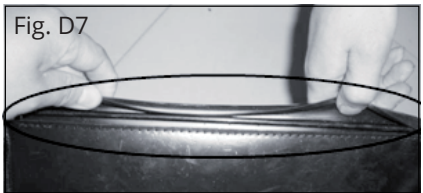
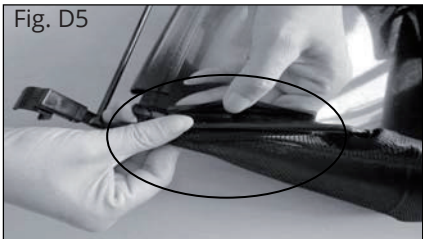


Fig. D1

Insert the metal frames into the plastic holes (see Fig. D2, D3 and D4).



Wrap the metal frames with the plastic hems (see Fig. D5, D6 and D7).

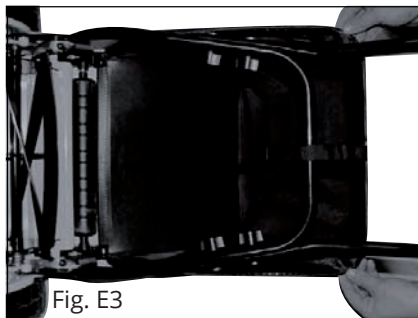
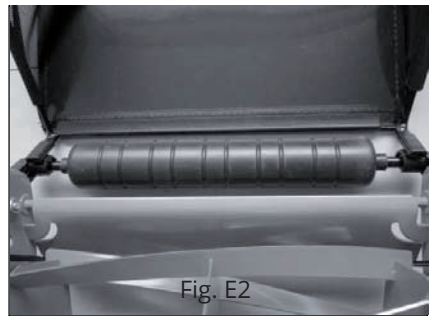


Fitting the grass collection box



WARNING! The grass collection box must be fitted before using the mower.

Attach the box to the lawn mower body by sliding the holes in the front of the box over the attachment hooks in front of the cutting height roller. You will also need to fit the grass box support strap so that the rear of the box is clear of the ground in normal use (see Fig. E1, E2 and E3).



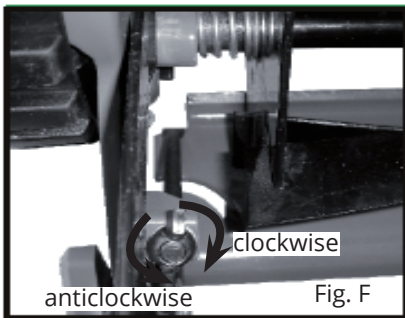
Fixed blade setting



WARNING!

This operation will have to be done whilst carefully turning the cylinder blade. We strongly recommend that thick gardening gloves are worn. The fixed blade must be set correctly in order for the lawn mower to work efficiently.

Carefully tighten the two adjusting knobs by turning them slowly in the clockwise direction. When the cylinder blade just makes contact with the fixed blade, turn the rotating knobs slightly in an anticlockwise direction until the rotating blade turns without touching the fixed blade (see Fig. F).

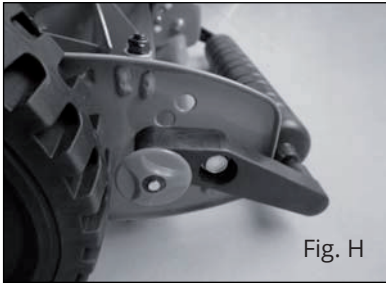


Adjusting the cutting height

Depending on the length of grass you are cutting, you may want to adjust the cutting height of the lawn mower. This can be done by raising or lowering the cutting height roller. To adjust the cutting height, pull the cutting height adjustment knobs on both sides away from the mower body, and then move them forward or backward to adjust the cutting height.



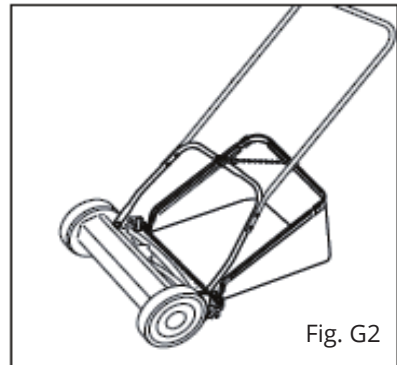
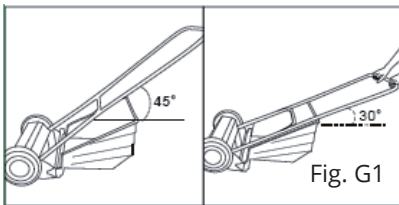
WARNING! Make sure the knobs are at the same height on both sides.



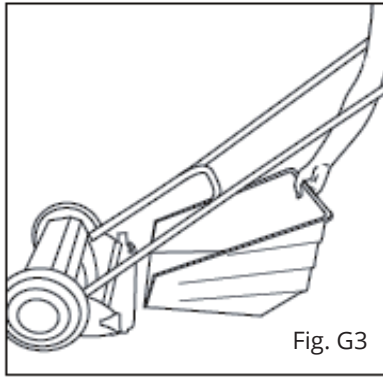
Emptying the grass collecting box

Unhook the support strap from the box and tilt the mower handle back (see Fig. G1).

Lift the handle a little, then take out the box (see Fig. G2).



Refit the box and support strap. Unhook the support strap from the box and tilt the mower handle back. Lift the handle a little, then take out the box (see Fig. G3).



MAINTENANCE

Note: To ensure long and reliable service, carry out the following maintenance regularly.

Check for obvious defects, such as loose, dislodged blades, loose fixings, and worn or damaged components. Check that covers and guards are undamaged and correctly fitted.

Carry out necessary maintenance or repairs before using. If the lawn mower should happen to fail despite the care taken in manufacture and testing, repair should be carried out by an authorised service agent.

After mowing/storage, clean the exterior of the machine thoroughly using a soft-bristle brush and cloth. Do not use water, solvents or polishes.

Store the lawn mower in a dry place, out of the reach of children. Do not place other objects on top of the machine.

Keep all nuts, bolts and screws tight, to be sure the mower is in safe working condition.

Check the grass collector frequently for wear or deterioration.

Replace worn or damaged parts for safety. Use only genuine replacement parts and accessories.

Be careful during adjustment of the mower, to prevent entrapment of fingers between moving blades and fixed parts.

Caution! Do not touch rotating blade.

TROUBLESHOOTING



WARNING! Only perform the steps described within these instructions. All further inspection, maintenance and repair work must be performed by an authorised service centre or a similarly qualified specialist if you cannot solve the problem yourself.

Suspected malfunctions, disturbances or damages are often due to causes that the user can fix themselves. Therefore, check the product using this section. In most cases, the problem can be solved quickly.

Fault/ malfunction	Cause	Remedy
Unsatisfying cutting result	- Blade clearance is too wide	- Adjust the blade clearance, refer to maintenance section
Machine is too noisy and difficult to operate	- Blade clearance is too narrow	- Adjust the blade clearance, refer to maintenance section

TECHNICAL DATA

Grass collecting box	23 litres
Cutting width	30cm
Variable cutting heights	18-38mm 4pos
Weight	6.4kg

SHARPENING THE BLADE

Before taking the time and effort to sharpen the blades, make sure that it needs sharpening. Most issues can be solved by ensuring the blades are properly adjusted.

1. Prop up the push mower so that the blade reel can be rotated by turning the wheels.
2. Check the blades for nicks and burrs. If any damage is found, it can usually be removed by holding a file flat against the blade and pushing away from the edge.
3. Examine the cutting bar; it should just meet the blades along their entire length. To make sure the cutting bar is located correctly, grasp a wheel and turn it forward; you should hear a whispery sound as the blades pass the cutting bar.
4. If the bar is out of alignment, adjust using the adjustment knobs on the ends of the bar.
5. Using your fingers or a soft paint brush, cover the blades with a thin, even coat of automotive valve-grinding compound (available at automotive stores).
6. Grasp a wheel and turn it slowly backwards so the grinding compound is squeezed between the blades and the cutting bar, thereby sharpening both cutting edges as they pass each other. Be sure that each blade touches the bar as the wheel is rotated.
7. Make about a dozen turns, applying more grinding compound when necessary.
8. Examine the blade edges. If they look sharp, wash off all the valve compound with soapy water and rinse thoroughly.
9. Test for sharpness. Insert a sheet of newspaper between the blades and the cutting bar, then rotate the reel forward. When the blades cut the paper as easily and cleanly as a sharp pair of scissors would, the task is complete.

Note: After each use, hose the mower clean and wipe it dry. Wipe all the metal parts with a thin film of WD-40 or mineral oil.

DISPOSAL

The mower and its accessories are made of various recyclable materials. Dispose of the mower in accordance with your local recycling regulations.

GETTING HELP

Our dedicated UK-based customer helpline is open 7 days a week to assist you with assembly, parts queries and technical support. We are open during office hours but you can always send an email via **support@coreservice.co.uk**. Our experts are here to get you back enjoying your garden in no time.

For useful assembly and maintenance videos, and for ordering spares, please visit **www.coreservice.co.uk**.

Calling our service does not affect your statutory rights.

WARRANTY

This product is covered by a 1 year warranty.

The warranty covers any manufacturing defect in materials, workmanship and finish.

Any claim under this warranty must be made by going to your nearest Homebase store, taking your proof of purchase with you, and claims must be made within 1 year of the date of purchase.

We will offer you a free repair of the item where this is possible, or a replacement or a refund. Your statutory rights remain unaffected, in particular any rights you may have under the Consumer Rights Act 2015.

This warranty is given by HHGL Limited, MK9 1BA, HHGL (ROI) Limited, D02 X576.

Please note: This warranty does not apply to products misused or neglected and only covers domestic use. It does not apply to commercial use of the product. In addition, the warranty will be void for the following reasons: Any damage resulting from product misuse or product neglect.