

Your product has a high quality finish and should be treated with care to preserve the visible surfaces.

Never use abrasives or abrasive cleaning agents to clean this product. Clean regularly with contamination free warm soapy water and a damp soft cloth. Do not use products containing chlorine bleach or hydrochloric acid as these can damage the product. Always rinse the product thoroughly after cleaning to remove cleaning products that can damage the shower.

Your product comes with a 5 year parts guarantee, subject to the following:  
Proof of purchase will be required

The guarantee does not cover faults or damage caused by incorrect installation and/or maintenance, ordinary wear and tear, water composition etc. including:  
Supply pipes reversed, Incorrect pressure or temperature, \*Incorrect use, Foreign bodies and/or scale due to the water composition, Incorrect cleaning.

We have a policy of continuous improvement and reserve the right to change specifications without notice.

METHVEN UK LIMITED  
METHVEN EXPERIENCE CENTRE  
3/3A STONE CROSS COURT  
YEW TREE WAY  
GOLBORNE  
WARRINGTON  
WA3 3JD  
UNITED KINGDOM

TEL: 0800 195 1602  
FAX: +44 (0) 1942 680 190  
E: sales@uk.methven.com  
methven.com

P4

# Aurajet™ Aio Shower Handset

## AOHSCPUK/AOHSCPWHUK

### Installation Instructions & Maintenance Guide

---

#### Technical Specifications:

**Supply:**

Suitable For High Pressure Systems

**Working Pressure:**

1.0 - 5.0 Bar

**Operating Temperature:**

Hot: Max 60°C

Cold: Min 5°C

**Inlet Connections:**

1/2" BSP

**Flow Regulator**

9 l/min supplied fitted in the handset

**Handset Function**

1 Spray

Limescale resistant-hydrophobic properties

resists the build up of limescale

Water efficient without compromising performance



**METHVEN**  
www.methven.com

PLEASE RETAIN THIS DOCUMENT FOR FUTURE REFERENCE

**IMPORTANT:** Please read all of the instructions before installation.

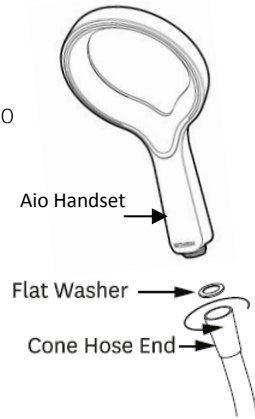
**GENERAL CHARACTERISTICS**

Methven recommends this product is installed by a licensed plumber in compliance with all relevant Water Authority Regulations. If you are unsure as to what the regulations require, you can contact your Local Water Authority or the Institute of Plumbers for further details.

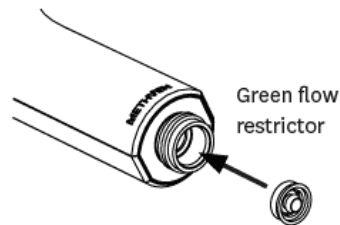
This product is safe provided it is installed, used and maintained in accordance with these instructions and recommendations.

**INSTALLATION**

For Handset only installation, insert the filter washer into the new hose before screwing to the handset.



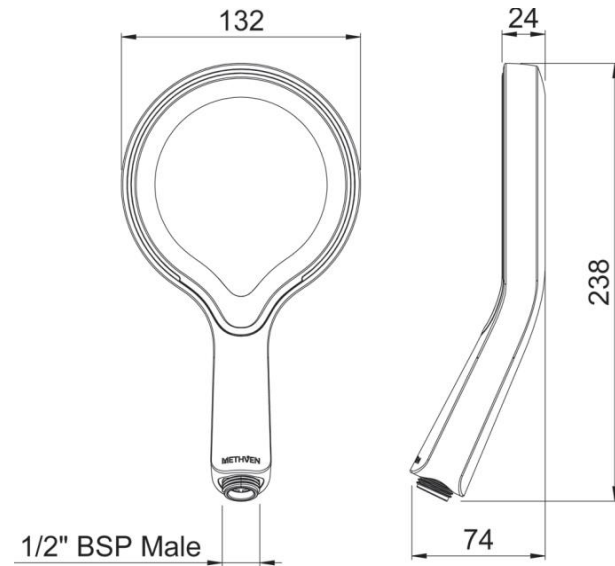
To reduce water usage or when working pressures exceed 3 Bar the flow restrictor should be installed. Fit green flow restrictor so O-Ring is visible from bottom end of handset.



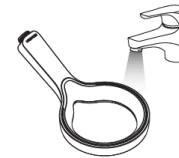
It is the responsibility of the installer to ensure a watertight seal is achieved.

P2

**LINE DRAWING**

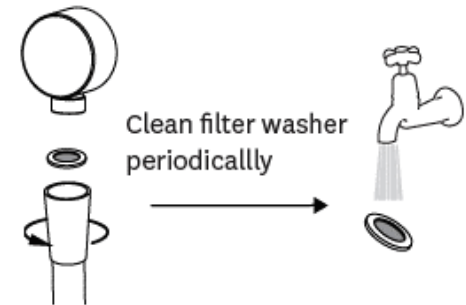


**CLEANING**



lime deposits can be prevented from forming on the faceplate by wiping immediately after use.

Do not use any sharp objects to clean nozzles



P3