

SOVEREIGN

EASY GARDENING

250W GRASS TRIMMER

Article No. 310086

Model No. N1F-GT-220/250-C



Technical Support & Parts
01904 727509
Mon-Fri 9am-5pm Sat-Sun 11am-4pm
www.coreservice.co.uk

ORIGINAL INSTRUCTION MANUAL

Please read these instructions fully before starting assembly.

HHGL Limited, MK9 1BA; HHGL (ROI) Limited, D02 X576

July 21

CONTENTS

General safety warnings	3
Intended use	10
Warning symbols	10
In the box	12
Assembling the grass trimmer	13
Operate the grass trimmer	15
Maintenance	18
Troubleshooting	21
Technical data	22
Recycling and disposal	23
Getting help	23
Warranty	24

GENERAL SAFETY WARNINGS

Safety Warnings



WARNING! Read all safety warnings and instructions.

Failure to follow the warnings and instructions may result in electric shock, fire and/or serious injury.



WARNING! Read all safety warnings and instructions designated by the  symbol. Save all warnings and instructions for future reference.

- Always ensure anyone intending to operate this grass trimmer is fully conversant with the contents of this assembly manual prior to assembling, maintaining or operating the grass trimmer.
- Perform assembly operations as described in this manual. Failure to observe this warning may lead to serious injury, death, or damage to the grass trimmer.
- Always take care when removing the packaging, to prevent damage to you or to the grass trimmer.

IMPORTANT! Before assembling the grass trimmer, check all the parts indicated in the manual are in the box. Inspect all the parts for signs of damage. Do not assemble the grass trimmer if you observe any damaged components.

GENERAL SAFETY

- **Keep this operating and maintenance manual in a safe place for reference at a later date. Read the instructions carefully.** Be familiar with the controls and the proper use of the equipment.
- **Never allow children or people unfamiliar with these instructions to use the grass trimmer.** Local regulations can restrict the age of the operator.
- **Never mow while people, especially children or pets, are nearby.** Keep in mind that the operator or user is responsible for accidents or hazards occurring to other people or their property.
- **This appliance is not intended for use by people (including children) with reduced physical, sensory or mental capabilities, or lack of experience and knowledge, unless they have been given supervision or instruction concerning use of the appliance by a person responsible for their safety.**
- **Do not touch the the rotating spool.**

GENERAL POWER TOOL SAFETY WARNINGS

- **Use appropriate tool.** This device is only intended for cutting grass and soft vegetation outdoors, and only designated for use on private property. Do not force small tools or attachments to do the job of a heavy-duty power tool.
- **Keep work areas clean.** Cluttered areas can cause accidents.

- **Consider the work environment.** Do not expose your power tool to high humidity or rain. Do not use your tool in damp and wet conditions. Keep the work area well lit. Do not use your tool where there is a risk of causing fire or explosion, e.g. in the presence of flammable liquids and gases.
- **Keep all bystanders, children, and pets away.** The operator or user is responsible for accidents or hazards occurring to other people or their property.
- **Dress appropriately.** Do not wear loose clothing or jewellery, as these can be caught in moving parts. Wear non-slip footwear when working outdoors. Wear protective hair covering to keep long hair out of the way.
- **Personal protective equipment (PPE).** Always use safety glasses and gloves. Use a face or dust mask whenever the operations may produce dust or flying particles. Wear ear protection whenever the sound level seems uncomfortable.
- **Do not overreach.** Keep proper footing and balance at all times.
- **Stay alert, watch what you are doing.** Use common sense when operating the appliance. Do not operate the power tool when you are tired.
- **Grip the power tool securely.** The operator should have one hand on the main handle, the other on the front handle. Keep finger off the trigger until ready to use.

- **Remove adjusting keys and wrenches.** Always check that adjusting keys and wrenches are removed from the tool before operating.
- **Risk of harm.** Do not touch or try to stop the cutting lines when they are moving.
- **Disconnect the plug.** Disconnect the plug from the tool when not in use, or when servicing or cleaning.
- **Check for damaged parts.** Before further use, carefully check the tool for damage. Check for alignment of moving parts, binding of moving parts, breakage of parts, mounting, and any other condition that may affect its operation.
- **Do not use the tool if any parts are damaged or defective.** Have any damaged or defective parts repaired or replaced by an authorised service agent. Never attempt any repairs yourself.
- **Avoid unintentional starting.** Do not carry the tool without disconnecting the plug, and be sure it is switched off.
- **Use an extension cord suitable for outdoor use when operating a power tool outdoors.** Use of a cord suitable for outdoor use reduces the risk of electric shocks.
- **If operating a power tool in a damp location is unavoidable, use a residual current device (RCD) protected supply.** Use of an RCD reduces the risk of electric shock.

- **Store idle tools.** When not in use, power tools should be stored in a dry, secure place, out of the reach of children.
- **Maintain tools with care.** Keep tools clean and in good condition for better and safer performance. Follow the instructions for maintenance and changing accessories. Keep handles and switches dry, clean and free from oil and grease.
- **Have your tool repaired by an authorised service agent.** This tool is manufactured in accordance with the relevant safety regulations. To avoid danger, electrical appliances must only be repaired by qualified technicians.



WARNING!

Do not use any attachments or accessories which are not recommended by the manufacturer of this tool.

The use of attachments or accessories not recommended can result in serious personal injury.

ADDITIONAL SAFETY WARNINGS FOR YOUR GRASS TRIMMER

- Wear protective glasses or goggles.
- Never allow children or people unfamiliar with the instructions to use the machine.
- Stop using the machine while people, especially children or pets, are nearby.
- Only use the machine in daylight or good artificial light.

- Before using the machine and after any impact, check for signs of wear or damage and repair as necessary.
- Never operate the machine with damaged guards or without the guards in place.
- Keep hands and feet away from the cutting area at all times.
- Take care against injury from any device fitted for trimming the filament line length. After extending new cutter line, always return the machine to its normal operating position before switching on.
- Never fit metal cutting elements.
- Never use replacement parts or accessories not provided or recommended by the manufacturer.
- Always ensure that ventilation openings are kept clear of debris.

ELECTRICAL SAFETY

- Read these safety instructions thoroughly before connecting this product to the mains supply.
- Before switching on, make sure that the voltage of your electricity supply is the same as that indicated on the rating plate.
- This product is designed to operate on 230-240VAC 50Hz. Connecting it to any other power source may cause damage.
- This product may be fitted with a non-rewireable plug. If it is necessary to change the fuse in the plug, the fuse cover must be refitted. If the

fuse cover becomes lost or damaged, the plug must not be used until a suitable replacement is obtained.

- If the plug has to be changed because it is not suitable for your socket, or due to damage, it should be cut off and a replacement fitted. The old plug must be disposed of safely, as insertion into a 13 amp socket could cause an electrical hazard.

SAFETY OF EXTENSION CABLES



WARNING!

Do not use two-core extension cords or reels on power tools with an earth path.

- Use only extension cords suitable for outdoor use, preferably with a high-visibility cable colour.
- Always unwind all extension cables fully, as coiled cables can overheat and reduce the efficiency of your product.
- For extension cables up to 15 metres, use a wire cross section of 1.5mm². For extension cables over 15 metres but less than 40 metres, use a wire cross section of 2.5mm².
- If the insulation on a power cable or extension lead is found to be cut or damaged, do not touch it! Disconnect the power supply immediately and have the damaged cable replaced.
- Do not repair damaged cables.
- Always follow the manufacturer's instructions.

MAINTENANCE AND STORAGE

- Keep all nuts, bolts and screws tight, to be sure the equipment is in safe working condition.
- Replace worn or damaged parts for safety.

INTENDED USE

This grass trimmer has been designed for cutting grass and similar soft vegetation, and for trimming grass edges in private and hobby garden areas that are not accessible with a grass trimmer.

The device is not permitted to be used in public gardens, parks, sports centres or at roadsides, or for agriculture and forestry.

WARNING SYMBOLS

Symbols are used in this manual to attract your attention to possible risks. The safety symbols and the explanations which accompany them must be perfectly understood. The warnings themselves do not prevent the risks and can not be a substitute for proper methods of avoiding accidents.



Read the instruction manual before use.



Wear ear protection.



Wear eye protection.



Do not expose and operate the tool in rain.



Objects thrown by the product could hit the user or other bystanders. Always ensure that other people and pets remain at a safe distance from the product when it is in operation. In general, children must not come near the area where the product is.



Disconnect the mains plug if the cord becomes damaged or entangled.



Class II equipment.



Recycle unwanted materials instead of disposing of them as household waste. All tools, cables and packaging should be sorted, taken to the local recycling centre and disposed of in an environmentally-safe way.



The product complies with the applicable European Directives, and an evaluation method of conformity for these directives was done.



The product complies with the applicable UK Directives, and an evaluation method of conformity for these directives was done.

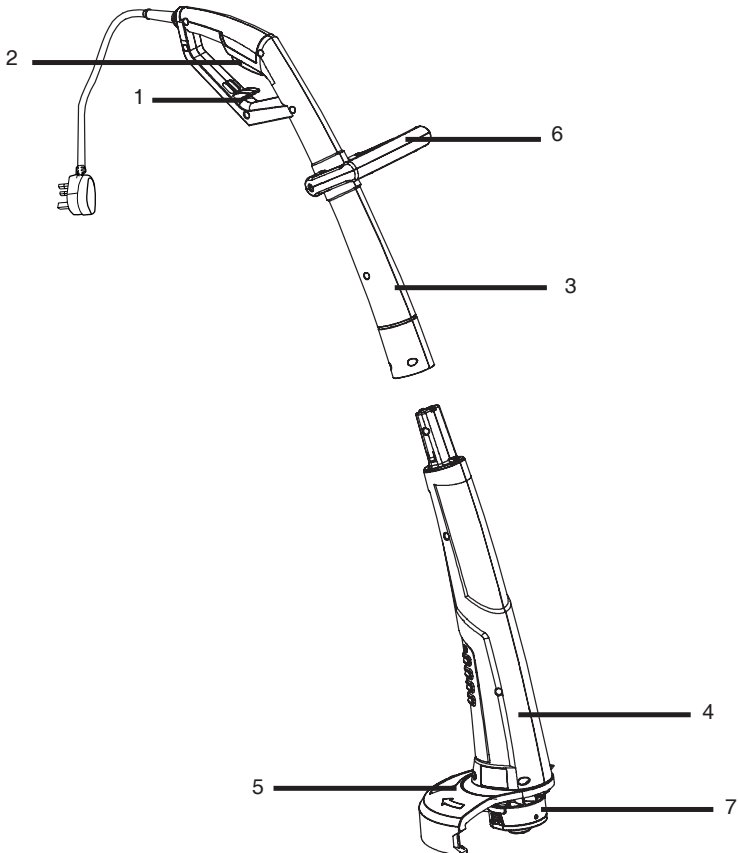


Guaranteed sound power level data (95dB), in accordance with Directive 2000/14/EC.

IN THE BOX

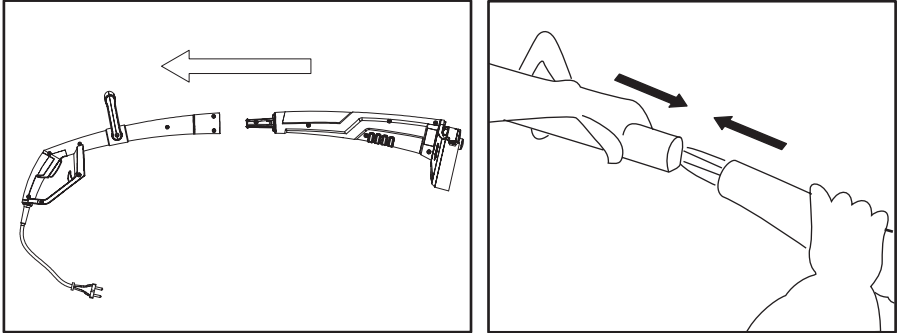
Parts

1. Hook
2. On/off switch
3. Upper handle
4. Motor housing
5. Safety guard
6. Auxiliary handle
7. Trimmer head



ASSEMBLING THE GRASS TRIMMER

Step 1- Assemble trimmer head



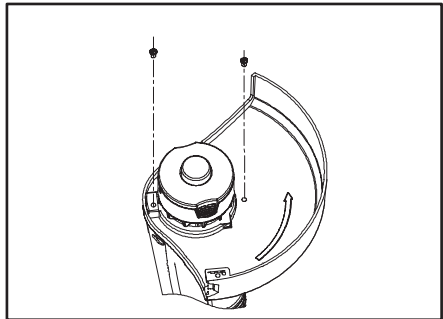
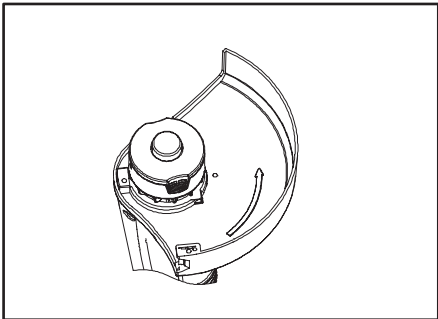
Insert the motor housing into the upper handle, making sure the handle is locked in place.

Step 2- Assemble the safety guard



WARNING!

Do not use the product without fitting the safety guard.



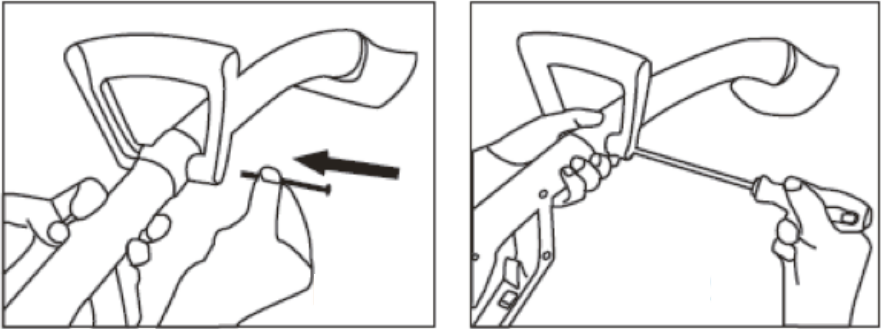
Push the safety guard over the cutting line spool and onto the trimmer head.

Make sure that the cutting line is not trapped under the safety guard.

Make sure that the sides are located into the grooves on the trimmer head.

Secure the safety guard with the screws provided.

Step 3 - Fitting the auxiliary handle

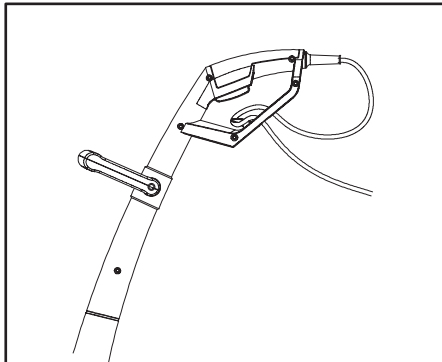


Locate the auxiliary handle to the bracket. Take care of its orientation.

Insert the bolt through the bracket and the handle, then screw into the captivated nut.

Tighten the screw with the tool.

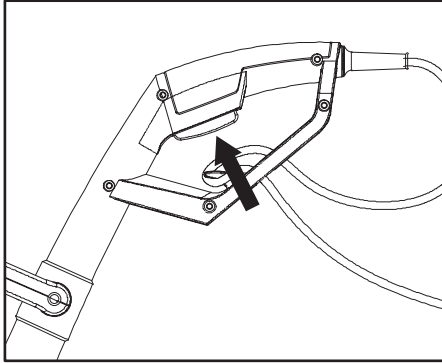
Step 4 - Main supply cable strain relief



To prevent excessive strain on the cable connections, the grass trimmer is fitted with a cable restraint.

Before switching on, push a loop of cable through the space in the handle and secure it over the cable restraint.

OPERATE THE GRASS TRIMMER



SWITCH ON/OFF

Press the on/off switch to start the grass trimmer.
To switch off, simply release the on/off switch.



WARNING!

The cutting head continues to rotate after the trimmer has been switched off; wait until it has stopped then lay down the tool.

CUTTING GRASS



WARNING!

Always wear eye protection. Never lean over the trimmer head. Rocks or debris can ricochet or be thrown into the eyes and face, and cause blindness or other serious injury.

When operating the unit, ensure the following:

- Wear eye protection and appropriate clothing.

Hold the front handle with one hand and auxiliary handles with the other hand.

Keep the unit below waist level. Work only from your right to your left, to ensure debris is thrown away from you.

Without bending over, keep the line near and parallel to the ground (perpendicular when edging). Do not switch the machine on with the cutting head on or near material to be cut.

Ensure the cutting line is at full speed before contacting material to be cut.

Make sure that line is fed out before operation.

Make sure motor is up to full speed before trimming.

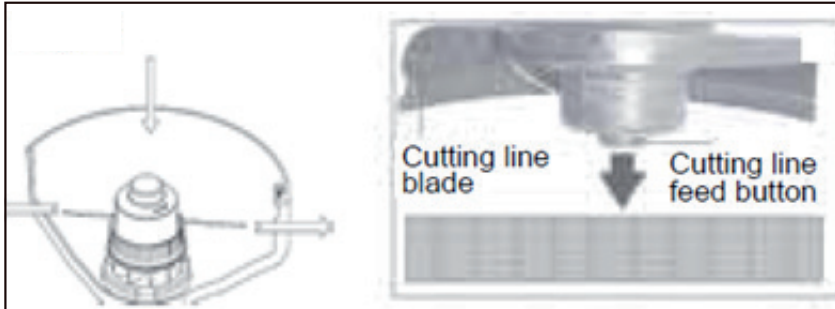


1. Let the trimmer run for a few seconds without touching the working area, and allow the trimmer to cut the line.
2. Use the trimmer at an angle of approximately 15° to the working area.
3. Swing the trimmer head from side to side.



4. If the grass is very long, cut it in stages rather than trying to cut it in one go. Do not overload your trimmer; small cuts will keep the machine operating at high speed and will greatly improve cutting efficiency.

MANUALLY FEED THE LINE



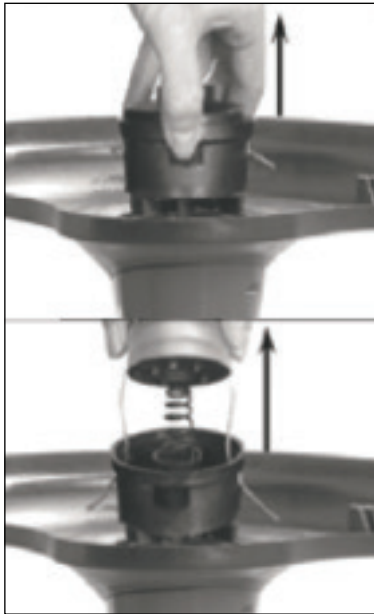
If required, line can be fed out manually. To operate, press and release the manual line-feed button, while gently pulling out the line until it reaches the line cutter.

When the required amount of line is fed out, gently pull on the second line (there is no need to press the manual line feed button again). If the line extends past the line cutter, too much line has been fed out.

If too much line is fed out, remove the spool cap and turn the spool counter-clockwise until the line is at the desired length.

MAINTENANCE

REMOVE THE CUTTING HEAD COVER



Press the release latch on the spool head cover and remove the cover, pulling it straight off the cutting head assembly. Pull the cutting head cover away from the spool holder.

REFITTING THE SPOOL CAP



Keep all areas of the cutting head cover and spool holder clean.

Replace the spool head cover, pressing firmly down towards the spool holder to ensure the cover is fully located.

Check that the cap is correctly fitted by trying to remove it without depressing the two latches.

FIT THE SPOOL AND LINE COMPLETE

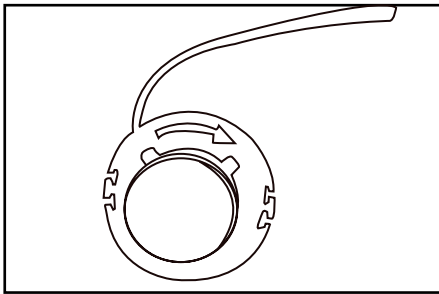
Remove the old spool.

Place the new spool into the cutting head with the cut out areas of the spool in line with the eyelets.

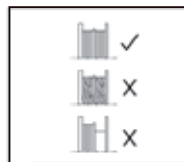
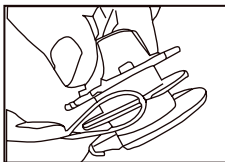
Release line from the cleat and feed it through the eyelet.

Refit the spool head cover.

FIT NYLON LINE ONLY



Take approximately 6m of line and insert the line into the spool holes. Wind the line in the direction of the arrows on the top of spool. Your trimmer is designed to use only line with a maximum diameter of 1.2mm.



IMPORTANT!

Leave approximately 100mm of line unwound and place into the cleat.

Care should be taken to ensure that the line is neatly coiled on the spool. Failure to do so will impair the efficiency of the automatic line feed.

MAINTENANCE AND STORAGE

1. Never use water or chemical cleaners to clean your power tool. Wipe clean with a dry cloth.
2. Always check the cutting head and guard before each use.
3. Always store your power tool in a dry place.
4. Keep the motor ventilation slots clean.
5. Have the unit professionally repaired should there be any damaged parts.

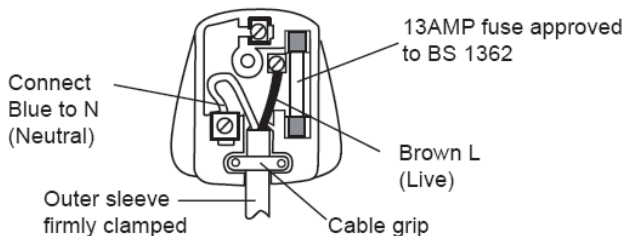
UK PLUG

If you need to replace the fitted plug, then follow the instructions below.

IMPORTANT: The wires in the mains lead are coloured in accordance with the following code:

Blue – Neutral, Brown – Live

As the colours of the wire in the mains lead of this product may not correspond with the coloured markings identifying the terminals in your plug, proceed as follows: The blue wire must be connected to the terminal marked N or coloured black. The brown wire must be connected to the terminal marked L or coloured red.





WARNING!

Never connect live or neutral wires to the earth terminal of the plug.

Only fit an approved 13 Amp BS 1363 or BS 1363/A plug and the correctly rated fuse. If in doubt, consult a qualified electrician.

TROUBLESHOOTING

Although your new grass trimmer is really easy to operate, if you do experience problems, check the following:



WARNING!

Before proceeding, unplug the power tool.

TOOL RUNS SLOWLY

1. Check that the spool housing can rotate freely.
2. Carefully clean it if necessary.
3. Check that the cutting line does not protrude more than 9cm from the spool housing. If it does, cut it off so that it just reaches the line trimming blade.

IF THE TRIMMER IS NOT CUTTING PROPERLY

Check the condition of the cutting head, if the cutting line is too short or the cutting head is damaged.

Note: Do not use a damaged cutting head.

If a fault is suspected, return the trimmer to an authorised dealer for repair.

TECHNICAL DATA

Model no.	N1F-GT-220/250-C
Voltage	230-240V~, 50Hz
Rated power	250W
No load speed	12000min ⁻¹
Cutting width	220mm
Cutting line diameter	1.2mm
Protection class	□ / II
Machine weight	1.7KG
A weighted sound pressure level (L_{pA})	88dB(A), K_{pA} : 1.5dB(A)
The guaranteed sound power level (L_{wA})	95dB(A)
Vibrations	2.7m/s ² , K: 1.5m/s ²



WARNING!

The sound intensity level for the operator may exceed 80dB(A) and ear protection measures are necessary. The vibration emission value during actual use of the power tool can differ from the declared value depending on the ways in which the tool is used, and dependent on the following examples and other variations:

- How the material is cut.
- The tool being in good condition and well maintained.
- The use of the correct accessory for the tool, and ensuring it is sharp and in good condition.
- The tightness of the grip on the handles and if any anti-vibration accessories are used.
- The tool is being used as intended by its design and these instructions.

This tool may cause hand vibration syndrome if use time is not adequately managed.

RECYCLING AND DISPOSAL



Waste electrical products should not be disposed of with household waste. Please recycle where facilities exist. Check with your local authority or retailer for recycling advice.

GETTING HELP

Our dedicated UK-based customer helpline is open 7 days a week to assist you with assembly, parts queries and technical support. We are open during office hours but you can always send an email via **support@coreservice.co.uk**. Our experts are here to get you back enjoying your garden in no time.

For useful assembly, starting and maintenance videos, and for ordering spares, please visit **www.coreservice.co.uk**

Using our service does not affect your statutory rights.

WARRANTY

This product is covered by a 1 year warranty.

The warranty covers any manufacturing defect in materials, workmanship and finish.

Any claim under this warranty must be made by going to your nearest Homebase store, taking your proof of purchase with you, and claims must be made within 1 year of the date of purchase.

We will offer you a free repair of the item where this is possible, or a replacement or a refund. Your statutory rights remain unaffected, in particular any rights you may have under the Consumer Rights Act 2015.

This warranty is given by HHGL Limited, MK9 1BA; HHGL (ROI) Limited, D02 X576

Please note This warranty does not apply to products misused or neglected and only covers domestic use. It does not apply to commercial use of the product.